



TEST OUR METAL®

Job: _____

Item No. _____

Wall & Microwave Shelves

Free up valuable kitchen space and provide superior support for your kitchen needs.

- Can be used for dishes, utensils, or general storage
- Customize to fit your needs
- Heavy duty stainless steel construction
- Standard upturn on the back and sides to retain items
- Supports are made using heavy duty 14 gauge stainless steel for rigidity and structural integrity
- Ships knock down for cost effective shipping
- Pot racks available on many models

Models:

- PWS-3
- PWS-4
- PWS-5
- PWS-6
- PWS-7
- PWS-8
- MW18-2418
- MW18-2424



PWS - 3 shown with optional pot rack

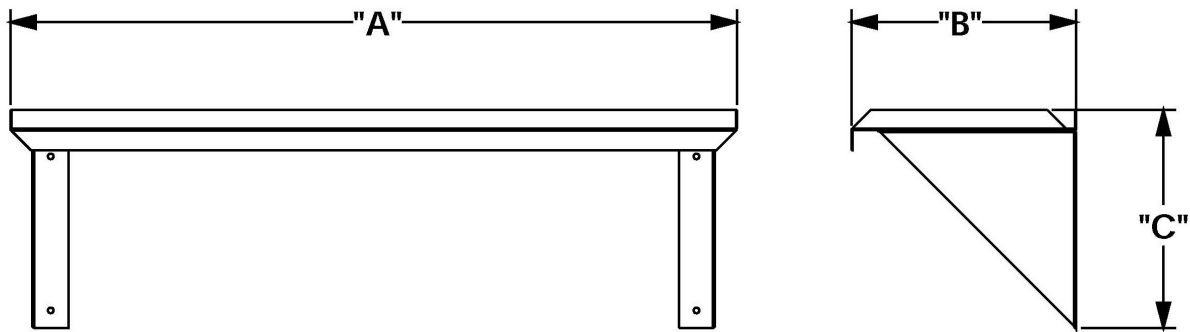


MW18-2418 shown



Made in USA

MODEL #	WIDTH DIM A	DEPTH DIM B	HEIGHT DIM C	SHIPPING CUBE FEET	SHIP WEIGHT
PWS – 3	36"	11 3/8"	10 3/4"	.5	10
PWS – 4	48"	11 3/8"	10 3/4"	.75	12
PWS – 5	60"	11 3/8"	10 3/4"	1.0	15
PWS – 6	72"	11 3/8"	10 3/4"	1.25	17
PWS – 7	84"	11 3/8"	10 3/4"	1.25	20
PWS – 8	96"	11 3/8"	10 3/4"	1.5	24
MW18-2418	24"	18"	12"	3	12
MW18-2424	24"	24"	12"	4	15



GENERAL: Shelf shall be constructed using stainless steel.

MICROWAVE SHELF: Shall be constructed of 18 ga #430 stainless steel. Sides shall have an upturn of 12".

TOP: Shall be constructed using 18 ga #430 Stainless Steel. Shelf shall come standard with a 1" upturn on the back and sides

SUPPORTS: Shall be constructed using 14 ga #430 stainless steel. 6' or longer shelves shall come standard with three supports.

Accessories, Options, Variations

- Custom sizes available
- 304 Stainless Steel Top and Supports
- 16 ga. or 14 ga. Options Available
- Pot Rack Option Available
- Extra Hooks



TEST OUR METAL®

451 E. County Line Rd. • P.O. Box 1089 • Mooresville, IN 46158
800-733-8073 • Local 317-831-7030 • Fax 317-831-7036
www.secoselect.com

REV 2016-11